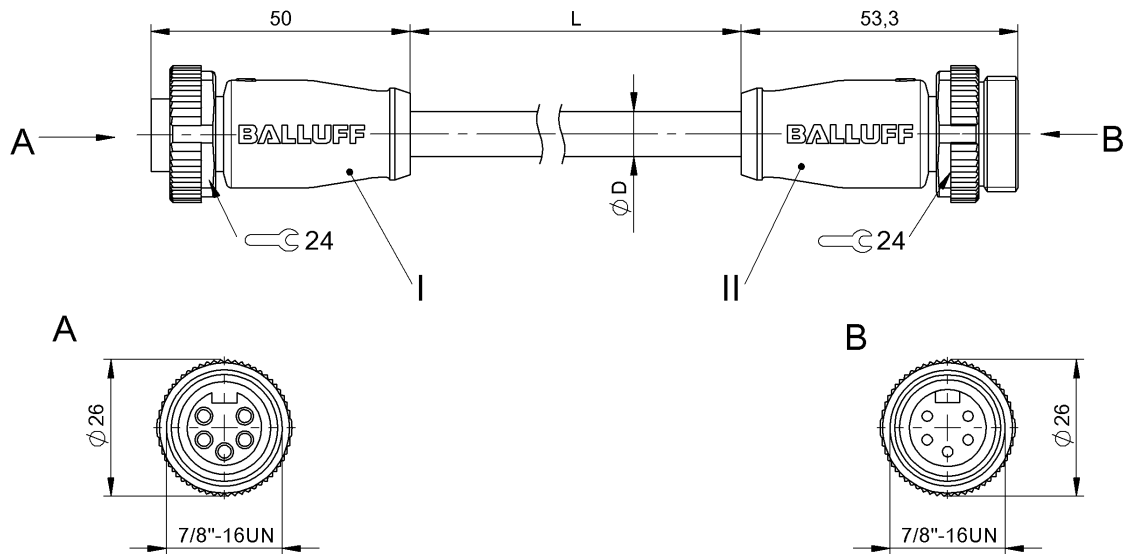


Double-Ended Cordsets  
**BCC A315-A315-30-335-VX45W6-006**  
**Order Code: BCC09CZ**

**BALLUFF**



**Basic features**

Approval/Conformity	CE cULus WEEE
---------------------	---------------------

**Electrical connection**

Cable	PVC Yellow, 0.6 m
Cable diameter D	12.58 mm ±0.25 mm
Conductor cross-section	16 AWG
Connection 1	7/8"-Female, straight, 5-pin
Connection 2	7/8"-Male, straight, 5-pin
Number of conductors	5
System	Molded/Molded

**Electrical data**

Cable rated voltage AC max.	600 V
Cable rated voltage DC max.	600 V
Operating voltage Ub	300 VDC / 300 VAC
Operating voltage Ub 3-phase network	277/480V AC +/- 15%
Rated current (40 °C)	9.0 A

**Remarks**

Bulk cable: PVC UL listed, 16/5 STOOW/STOOW CSA 105°C 600 V  
 Enclosure rating per IEC 60529, only in screwed state with the associated mating piece.

**Environmental conditions**

Cable temperature, fixed routing	-40...105 °C
IP rating	IP67, IP68/IP67, IP68

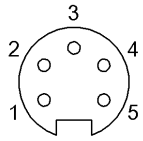
**Material**

Cable jacket, material	PVC
Material contact carrier	PUR/PUR
Material contacts	Brass/Brass
Material cover nut	Die-cast zinc/Die-cast zinc
Material grip	PUR/PUR

**Mechanical data**

Cable jacket, color	Yellow
Cable length L	0.60 m
Tightening torque pigtail	1.5 Nm/1.5 Nm

## Connector Drawings



I

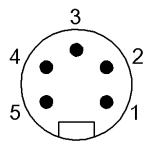
PIN 1: black

PIN 2: blue

PIN 3: green/yellow

PIN 4: brown

PIN 5: white



II

PIN 1: black

PIN 2: blue

PIN 3: green/yellow

PIN 4: brown

PIN 5: white

## Wiring Diagrams

